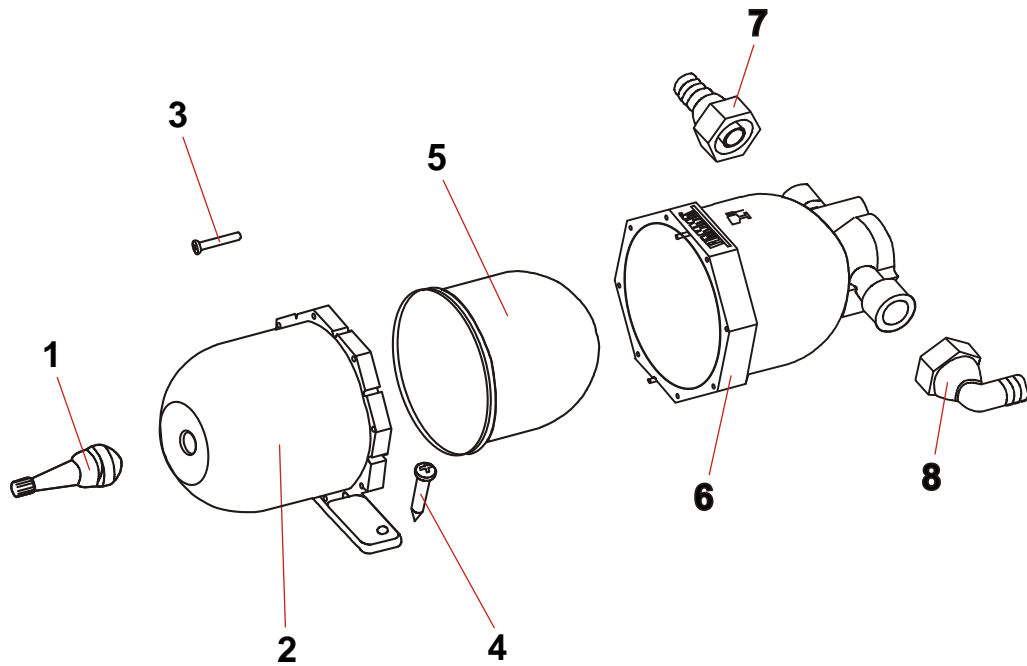


Recycling Sheet

acc. to 2000/53/EC Dir.

A20

Product Code 02478-01-



Pos.	Component	Tool to dismount	Recyclable / Waste
1	Valve	Cutter	<i>Rubber and metal</i>
2	Housing	-	Plastic (PA 6)
3	5x22 INOX Screw	Screwdriver	Metal
4	5x20 INOX Screw	Screwdriver	Metal
5	Membrane	-	<i>TPV Rubber</i>
6	Housing	-	Plastic (PA 6)
7	Joint	-	<i>Plastic</i>
8	Joint	-	<i>Plastic</i>

Fiamma\Ufficiali\Fiamma\Prodotti\Schede Tecniche\Schede Smaltimento\02478_A20R ev.A_GB