

Bulletin No.	R_02_2021
Date	February 2021

**Carry-Bike Frame Crafter E-Bike**  
Item No. 02094-31A

**Carry-Bike Frame Crafter 3 Bikes**  
Item No. 02094-33A

**Carry-Bike Frame Crafter**  
Item No. 02094-21A

Dear customer,

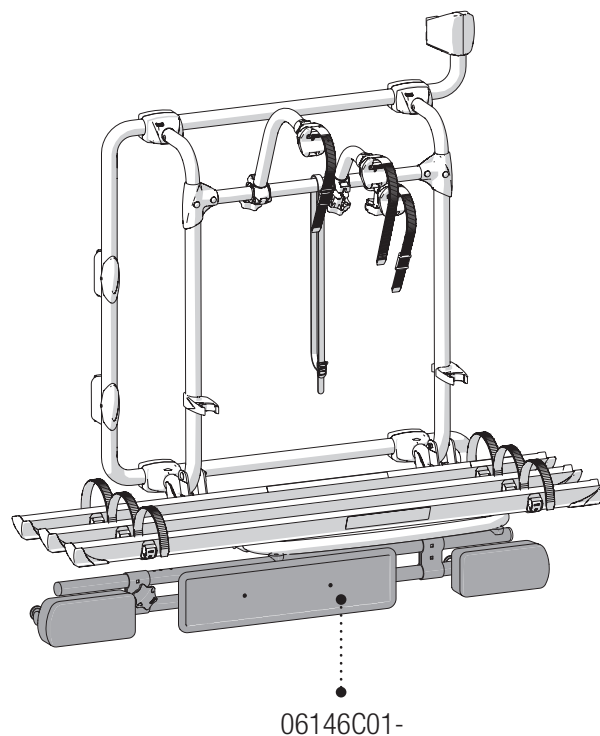
we inform you that for the product:

**Carry-Bike Frame Crafter**  
Item No. 02094-31A  
Item No. 02094-33A  
Item No. 02094-21A

is mandatory the use of the licence plate holder bar with lights Licence Plate Carrier:

**Item No. 06146C01-**

The code 06146B01-  
is not compatible with the CB in question.



Carry-Bike Frame Crafter	Licence Plate Carrier
02094-31A	06146C01-
02094-33A	
02094-21A	